

# Technical data sheet

## Product features



### Fry-top griddle plate smooth on open cabinet

<b>Model</b>	<b>SAP Code</b>	00008952
--------------	-----------------	----------



- Top type: Smooth
- Griddle dimensions [mm x mm]: 560 x 370
- Griddle thickness [mm]: 12.00
- Container for liquid fat: Yes
- Removable rim: Yes
- Ignition: Piezo + Eternal Flame

<b>SAP Code</b>	00008952	<b>Power gas [kW]</b>	7.000
<b>Net Width [mm]</b>	400	<b>Type of gas</b>	Natural gas, propane butane
<b>Net Depth [mm]</b>	730	<b>Griddle dimensions [mm x mm]</b>	560 x 370
<b>Net Height [mm]</b>	900	<b>Top type</b>	Smooth
<b>Net Weight [kg]</b>	51.90	<b>Worktop type</b>	Molded - comfortable cleaning maintenance

# Technical data sheet

Technical drawing

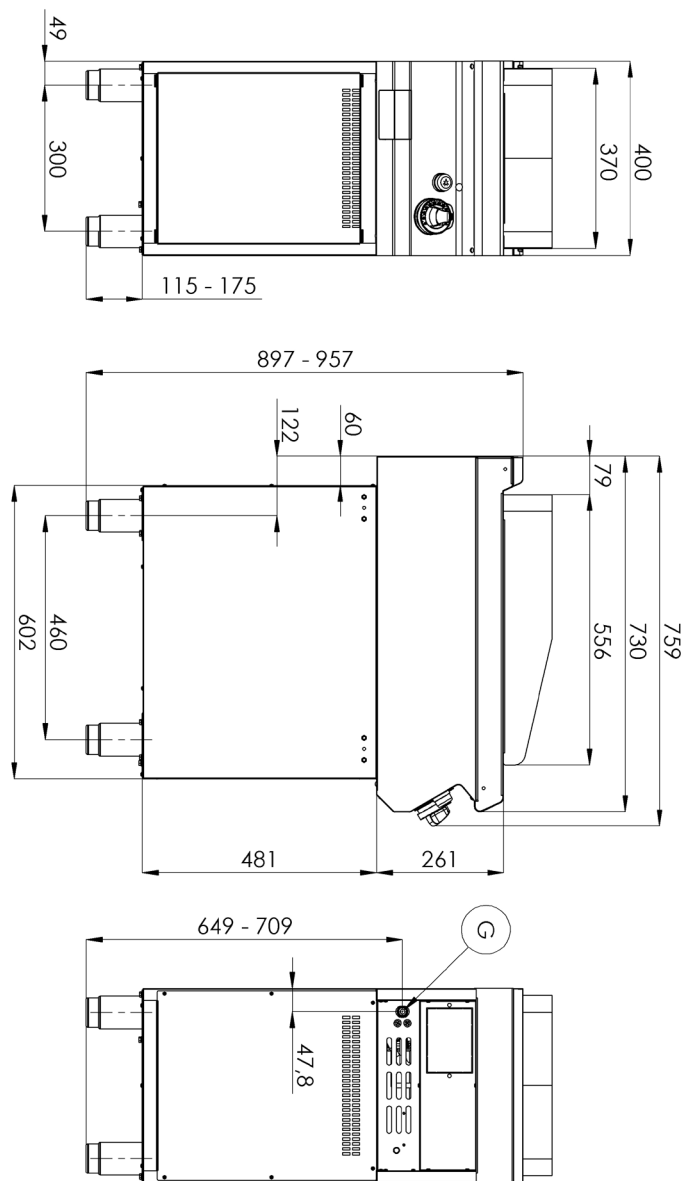


## Fry-top griddle plate smooth on open cabinet

Model

SAP Code

00008952



# Technical data sheet

Technical parameters



## Fry-top griddle plate smooth on open cabinet

**Model**

**SAP Code**

00008952

**1. SAP Code:**

00008952

**2. Net Width [mm]:**

400

**3. Net Depth [mm]:**

730

**4. Net Height [mm]:**

900

**5. Net Weight [kg]:**

51.90

**6. Gross Width [mm]:**

440

**7. Gross depth [mm]:**

800

**8. Gross Height [mm]:**

1080

**9. Gross Weight [kg]:**

59.70

**10. Device type:**

Gas unit

**11. Construction type of device:**

With substructure

**12. Power gas [kW]:**

7.000

**13. Ignition:**

Piezo + Eternal Flame

**14. Type of gas:**

Natural gas, propane butane

**15. Protection of controls:**

IP24

**16. Exterior color of the device:**

Stainless steel

**17. Material:**

AISI 304 top plate and cladding

**18. Worktop type:**

Molded - comfortable cleaning maintenance

**19. Worktop Thickness [mm]:**

1.50

**20. Service accessibility:**

Trough the frontal panel

**21. Safety thermocouple:**

Yes

**22. Adjustable feet:**

Yes

**23. Griddle dimensions [mm x mm]:**

560 x 370

**24. Griddle thickness [mm]:**

12.00

**25. Container for liquid fat:**

Yes

**26. Removable device container:**

No

**27. Removable rim:**

Yes

**28. Top type:**

Smooth

# Technical data sheet

Technical parameters



**Fry-top griddle plate smooth on open cabinet**

**Model**

**SAP Code**

00008952

## 29. Connection to a ball valve:

1/2